

# 2-303-P Narrow, quickly adjustable Pulling hooks (pair)



## DESCRIPTION

The pair of two narrow, quick-adjusting pulling hooks is suitable for 2-arm universal pullers. The narrow Pulling hooks ensure that even narrow and hard-to-reach spaces can be reached.

## RANGE OF APPLICATION

As an accessory for narrow and inaccessible spaces.

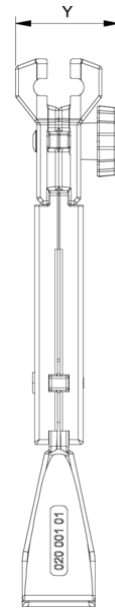
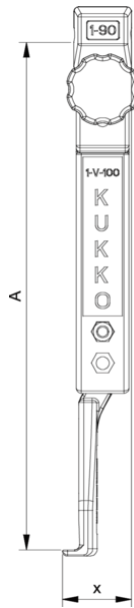
## BENEFIT

- Eccentric components can also be pulled off thanks to the free-moving Pulling hooks that slide on the Crossbeam
- Thanks to the knurls, the puller hooks can be released or moved quickly without tools

## MASTER DATA

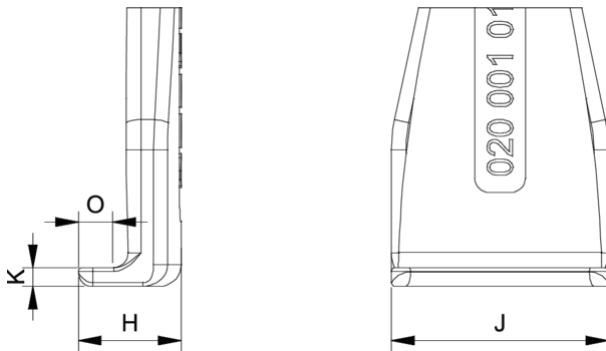
GTIN [EAN]	4021176973857
Country of origin	DE
Case material	Tool steel
Series	3-P
Net weight [kg]	2,58 kg
Package contents	1 few
Packaging Act	PAP 21
Global sales capability given	Yes

# Narrow, quickly adjustable Pulling hooks (pair)

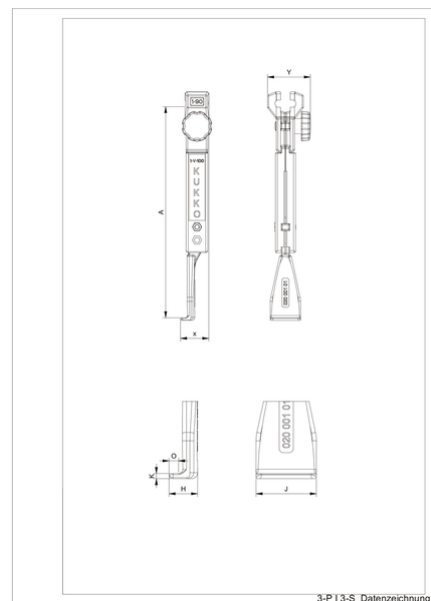


Abbreviation	Attribut	Wert
A	Clamping depth outside pull-off [mm]	300 mm
K	Hook root thickness at the tip (claw thickness K) [mm]	4 mm
J	Hook base width (claw width J) [mm]	32 mm
O	Hook base depth usable (claw depth usable O) [mm]	8 mm
H	Total hook root depth (total claw depth H) [mm]	19 mm
L	Total claw thickness (L+1mm) (claw distance to base surface) [mm]	4 mm
Z	Total length [mm]	336 mm

Abbreviation	Attribut	Wert
A	Clamping depth outside pull-off [mm]	300 mm
K	Hook root thickness at the tip (claw thickness K) [mm]	4 mm
J	Hook base width (claw width J) [mm]	32 mm
O	Hook base depth usable (claw depth usable O) [mm]	8 mm
H	Total hook root depth (total claw depth H) [mm]	19 mm
L	Total claw thickness (L+1mm) (claw distance to base surface) [mm]	4 mm
Z	Total length [mm]	336 mm



Abbreviation	Attribut	Wert
A	Clamping depth outside pull-off [mm]	300 mm
K	Hook root thickness at the tip (claw thickness K) [mm]	4 mm
J	Hook base width (claw width J) [mm]	32 mm
O	Hook base depth usable (claw depth usable O) [mm]	8 mm
H	Total hook root depth (total claw depth H) [mm]	19 mm
L	Total claw thickness (L+1mm) (claw distance to base surface) [mm]	4 mm
Z	Total length [mm]	336 mm



Abbreviation	Attribut	Wert
A	Clamping depth outside pull-off [mm]	300 mm
K	Hook root thickness at the tip (claw thickness K) [mm]	4 mm

J	Hook base width (claw width J) [mm]	32 mm
O	Hook base depth usable (claw depth usable O) [mm]	8 mm
H	Total hook root depth (total claw depth H) [mm]	19 mm
L	Total claw thickness (L+1mm) (claw distance to base surface) [mm]	4 mm
Z	Total length [mm]	336 mm